

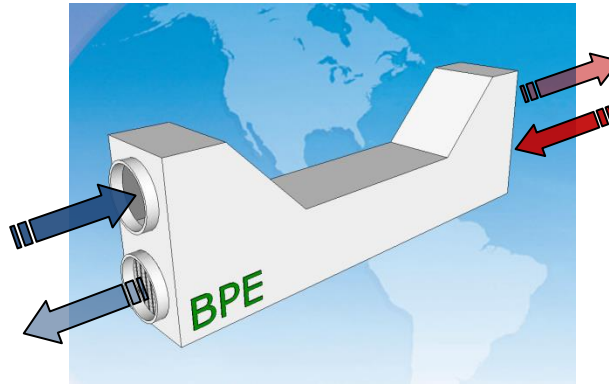


Building Performance Equipment, Inc.®

Sustainable, Reliable and Energy Efficient Ventilation Systems

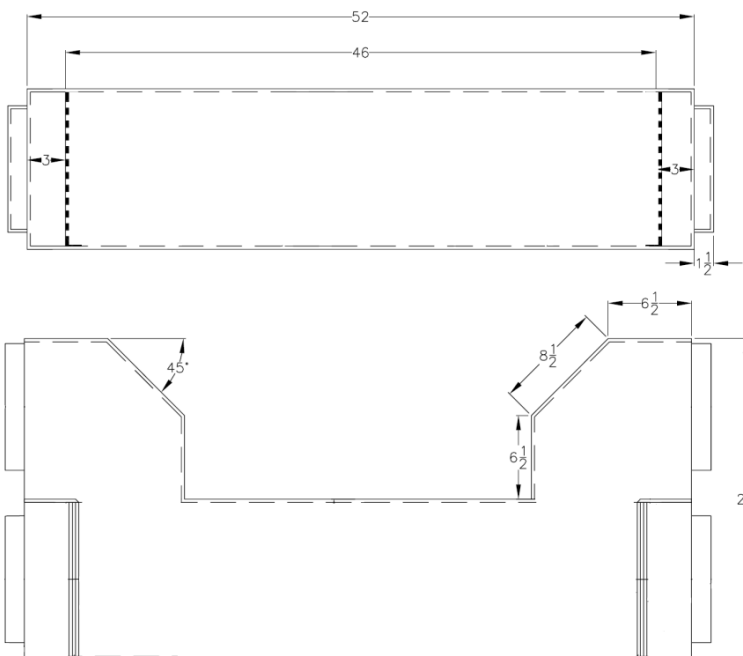


BPE-XE-MIR 500

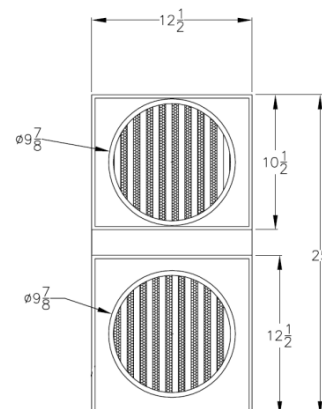


SPECIFICATIONS

Model Number: BPE-XE-MIR 500, Energy Recovery Module (ERM)				
Ventilation Type: Polymer Fixed Plate, Heat and Humidity Transfer				
Typical Air Flow Range: 200 to 550 cfm				
V	Hz	Phase	Input Watts	FLA
115	60	Single	274 @ 429 cfm	1.35 each fan
Energy Efficiency Ratio (EER) - Summer = BTUH/W = 31.53 (ARI 1060 at 95°F)				
Energy Efficiency Ratio (EER) - Winter = BTUH/W = 75.67 (ARI 1060 at 10°F)				
Typical Fans: Fantech FR-225, 274 Watts for two fans (NOTE: order fans separately)				
Shipping Dimensions: 60" x 28" x 14 1/2" (boxed)				
Weight: 85 lbs (Packaged), 80 lbs (ERM alone)				
Note: Typically no defrost controls are needed in conditions above -10 F and/or below 40 %RH. For colder or more humid applications call BPE Technical Support.				
Metal Galvanized Exterior with Reflectic Semi-Rigid Insulation : R-4.2				



Note: Dimensions in inches and method of manufacturing are subject to change without notice.





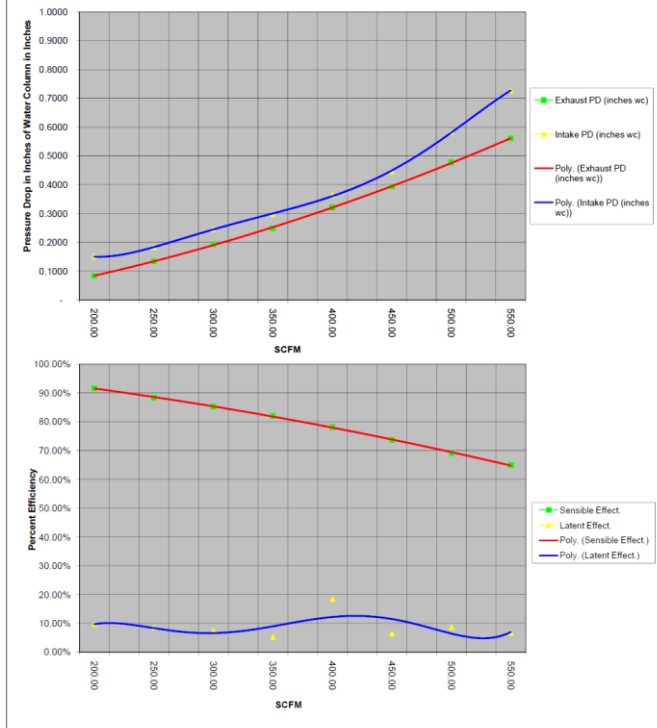
Building Performance Equipment, Inc.®

Sustainable, Reliable and Energy Efficient Ventilation Systems



Eco Air Anywhere®

BPE Performance



ARI 1060 Testing

Project Name: _____
 Location: _____
 Application: _____

Design Conditions

Summer

Outdoor Air (FA) CFM in W.C. °F DB °F WB

Indoor Air (EA) CFM in W.C. °F DB °F WB

% Thermal Effectiveness % Latent Effectiveness

Winter

Outdoor Air (FA) CFM in W.C. °F DB °F WB

Indoor Air (EA) CFM in W.C. °F DB °F WB

% Thermal Effectiveness % Latent Effectiveness

Fan Sizing

in W.C. - HX Outdoor Air (ΔP)
 in W.C. - HX Exhaust Air (ΔP)
 in W.C. - OA External Static Pressure (ESP)
 in W.C. - EX External Static Pressure (ESP)

Fan Selections

Outdoor Air - Total Static Pressure (TSP) in W.C.

Fan Model FR / FKD

Fan Size

Voltage/Phase	Amps/Hz	Max. Watts

Manual Speed Controller YES / NO

Describe Operating Controls

Exhaust Air - Total Static Pressure (TSP) in W.C.

Fan Model FR / FKD

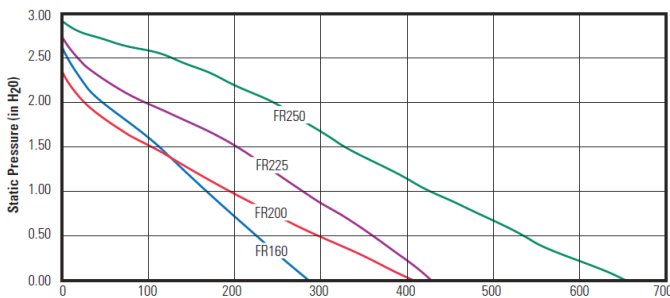
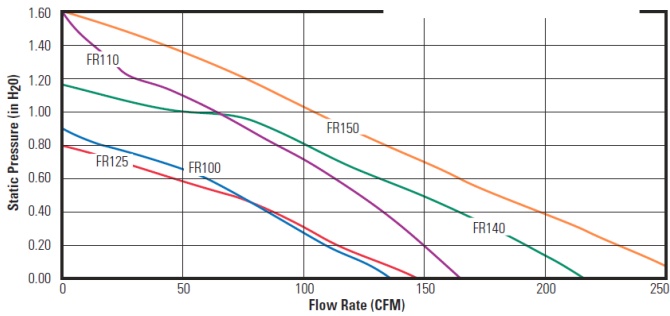
Fan Size

Voltage/Phase	Amps/Hz	Max. Watts

Manual Speed Controller YES / NO

Describe Operating Controls

AIR PERFORMANCE GRAPHS -Fantech Fans



Fantech Fans are certified:

