

## FR SERIES INLINE EXHAUST FANS



Fantech's versatile FR Series Inline Fans provide the ideal answer for a variety of air movement problems in residential and commercial applications. The fans feature a plastic housing constructed of UL-recognized, UV protected thermo-plastic resin. This tough protective shell allows the fan to be mounted in outdoor and wet locations\*. FR fans feature external rotor motors that have proven dependable year after year. Fan is fully caulked to prevent moisture from entering the housing.

### Applications

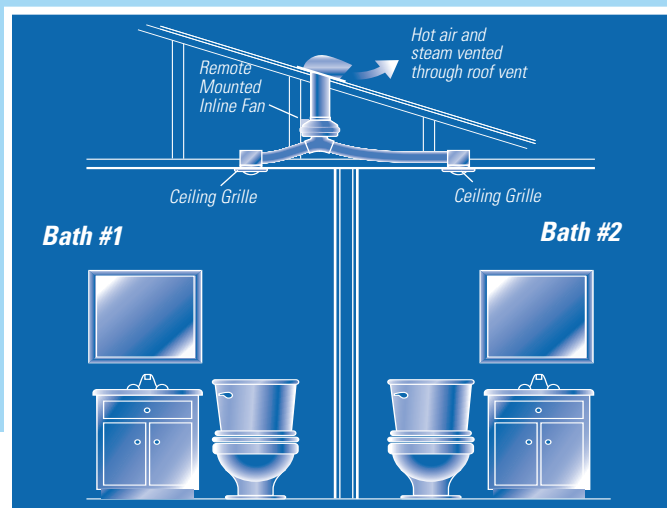
FR fans can be used for multiple point exhaust applications, crawl space venting or make-up air supply. They are also widely used as booster fans to move air from one room or area to another.



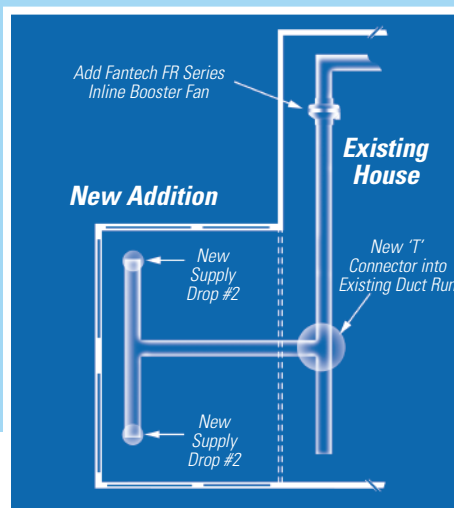
Look for the Energy Star Rated Models in Performance Data Chart on back page



### DUAL BATH APPLICATIONS - COMMERCIAL OR RESIDENTIAL



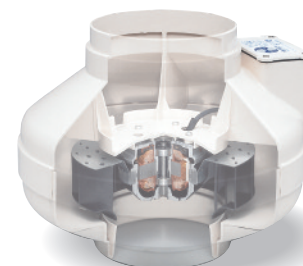
### NEW ADDITION



### EASY TO INSTALL. LOADED WITH FEATURES:

- Prewired and supplied with a mounting bracket for easy installation
- UL Listed; CSA Certified
- Approved for residential and commercial applications and for wet locations
- Suitable for airstream temperatures up to 140° F
- Easy connection using external wiring box with waterproof gasket

- 137-649 CFM
- 4" to 10" duct diameters
- 100% speed controllable
- Five-year factory warranty



Fantech external rotor motor

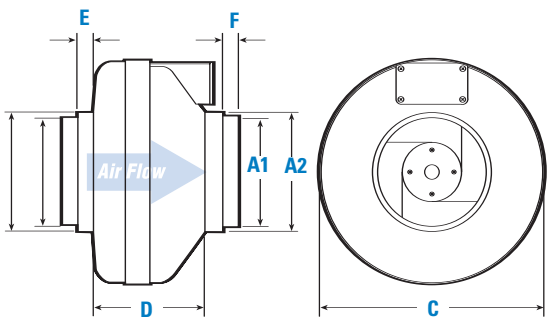
\* The FR Series is not manufactured to operate with water running through the motor compartment, or to be used in applications where the fan would be buried underground. A UL-recognized waterproof conduit should be used for all outdoor applications to prevent moisture entry via knockout in wiring box.

# FR SERIES

## INLINE EXHAUST FANS



### DIMENSIONAL DATA



Model	†A1	A2	C	D	E	F
FR 100	4	5	9½	6⅞	7⅞	7⅞
FR 110	4	5	9½	6⅞	7⅞	7⅞
FR 125	—	5	9½	6⅞	7⅞	—
FR 140	6	6¼	11¾	5⅞	1	7⅞
FR 150	6	6¼	11¾	5⅞	1	7⅞
FR 160	6	6¼	11¾	5⅞	1	7⅞
FR 200	8	10	13¼	6¼	1½	1½
FR 225	8	10	13¼	6¼	1½	1½
FR 250	—	10	13¼	6¼	1½	—

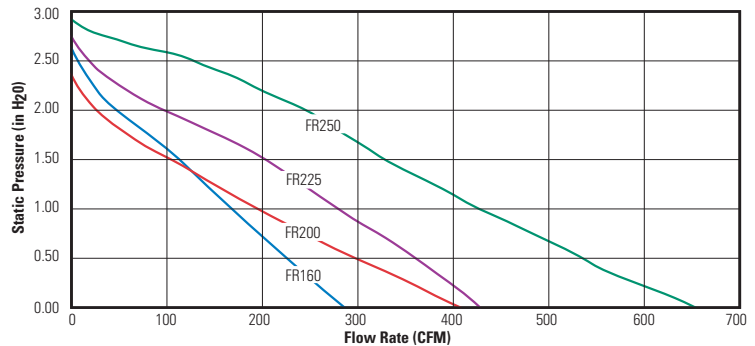
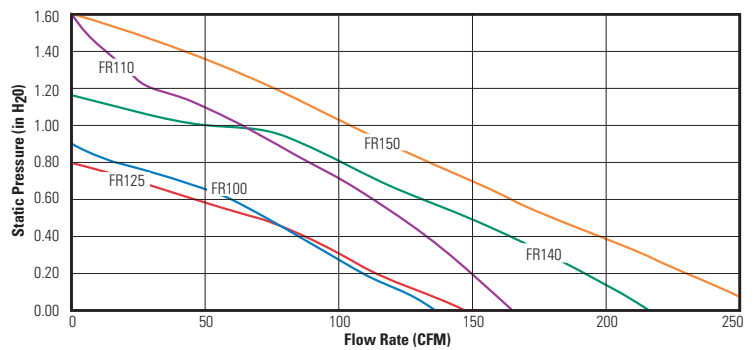
All dimensions in inches.  
 † Duct connections are 1/8" smaller than duct size.

**FIVE  
YEAR  
WARRANTY**



Look for the Energy Star Rated Models in Performance Data Chart.

### AIR PERFORMANCE GRAPHS



### PERFORMANCE DATA

Fan Model	Energy Star	RPM	Voltage	Rated Watts	Wattage Range	Max. Amps	Static Pressure in Inches W.G.							Max. Ps	Duct Dia.
							0"	.2"	.4"	.6"	.8"	1.0"	1.5"		
FR 100	✓	2950	120	21.2	13 – 22	0.18	137	110	83	60	21	—	—	0.9"	4"
FR 110	—	2900	115	80	62 – 80	0.72	167	150	133	113	88	63	4	1.60"	4"
FR 125	✓	2950	115	18	15 – 18	0.18	148	120	88	47	—	—	—	0.79"	5"
FR 140	✓	2850	115	61	47 – 62	0.53	214	190	162	132	99	46	—	1.15"	6"
FR 150	✓	2750	120	71	54 – 72	0.67	263	230	198	167	136	106	17	1.58"	6"
FR 160	—	2750	115	129	103 – 130	1.14	289	260	233	206	179	154	89	2.32"	6"
FR 200	✓	2750	115	122	106 – 128	1.11	408	360	308	259	213	173	72	2.14"	8"
FR 225	✓	3100	115	137	111 – 152	1.35	429	400	366	332	297	260	168	2.48"	8"
FR 250	—	2850	115	241	146 – 248	2.40	649	600	553	506	454	403	294	2.58"	10"

Performance shown is for installation type D - Ducted inlet, Ducted outlet. Speed (RPM) shown is nominal. Performance is based on actual speed of test. Performance ratings do not include the effects of appurtenances in the airstream.



**United States** 10048 Industrial Blvd. • Lenexa, KS 66215 • 1.800.747.1762 • www.fantech.net  
**Canada** 50 Kanalfakt Way • Bouctouche, NB E4S 3M5 • 1.800.565.3548 • www.fantech.net

Item #: 450399  
 Rev Date: 111009

Fantech, reserves the right to modify, at any time and without notice, any or all of its products' features, designs, components and specifications to maintain their technological leadership position.