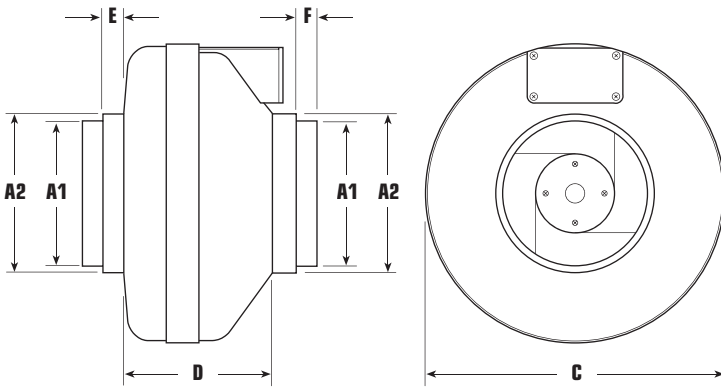




SUBMITTAL DATA

FR SERIES Inline Centrifugal Fans



STANDARD FEATURES

- ABS-PC blend thermo plastic housing
- Powered by ebm-papst external rotor motorized mixed flow impeller
- Permanently lubricated sealed ball bearings
- 100% speed controllable
- Automatic reset thermal overload protection
- Prewired electrical box
- Five-year factory warranty

Model	A1	A2	C	D	E	F	Avg Wt. (lbs)	Energy Star
FR 100	3 7/8	5	9 1/2	6 1/8	7/8	7/8	6	✓
FR 110	3 7/8	5	9 1/2	6 1/8	7/8	7/8	7	✓
FR 125	—	5	9 1/2	6 1/8	7/8	—	6	✓
FR 140	5 7/8	6 1/4	11 3/4	5 7/8	1	7/8	8	✓
FR 150	5 7/8	6 1/4	11 3/4	5 7/8	1	7/8	8	✓
FR 160	5 7/8	6 1/4	11 3/4	6 3/8	1	7/8	8	
FR 200	7 7/8	10	13 1/4	6 1/4	1 1/2	1 1/2	10	✓
FR 225	7 7/8	10	13 1/4	6 1/4	1 1/2	1 1/2	11	✓
FR 250	—	10	13 1/4	6 1/4	1 1/2	—	13	

All dimensions in inches.

Fan Specifications							Motor Specifications				
Line	Qty	Model No.	Tag	CFM	SP	Fan RPM	Watts	Volts	Phase	Hertz	Encl
1											
2											
3											
4											
5											

Accessory Items	1	2	3	4	5	Accessory Items	1	2	3	4	5
<input type="checkbox"/>						<input type="checkbox"/>					
<input type="checkbox"/>						<input type="checkbox"/>					
<input type="checkbox"/>						<input type="checkbox"/>					
<input type="checkbox"/>						<input type="checkbox"/>					
<input type="checkbox"/>						<input type="checkbox"/>					

Project: _____ Submitted: _____
 Customer: _____ Approved: _____
 Location: _____

